

one

Mounting options
Product dimensions
Exploded drawing
Technical data

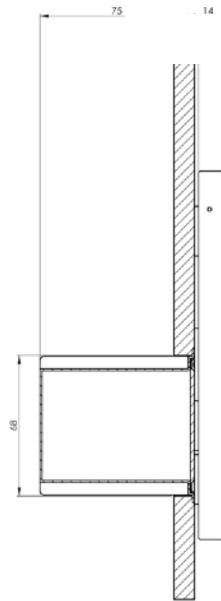


Mounting options: **with** wallbox

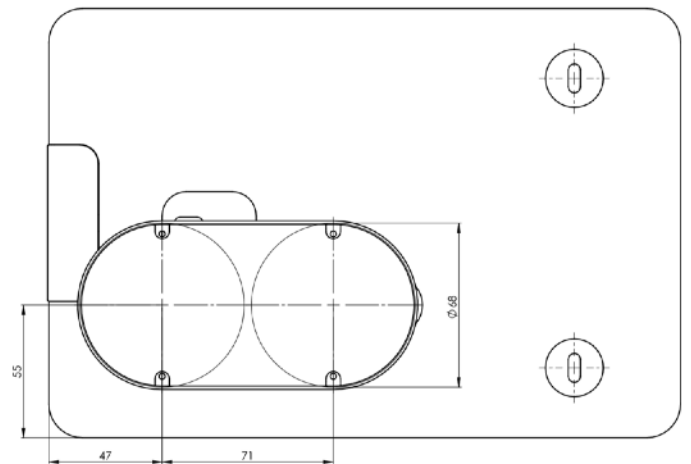
Installation in drywall, stone or solid wall etc.

Attach one to the wallbox.

Power supply: 100-240Vac or PoE (Power over Ethernet)



side view
from left to right: wallbox, wall, wall spacer, one



back view
! Attention: Measurements show one for iPad 9.7 inch. Measurements for other generation on following page.

The size of one varies depending on the iPad generation. Mounting plate is always the same, it allows you to change iPad generation easily.

Scaled-ready drilling template at www.viveroo.com/downloads

Article:

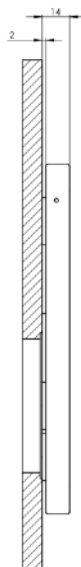
MountingSet Inwall
Incl. wallbox, power supply unit and mounting material

Mounting options: **without** wallbox

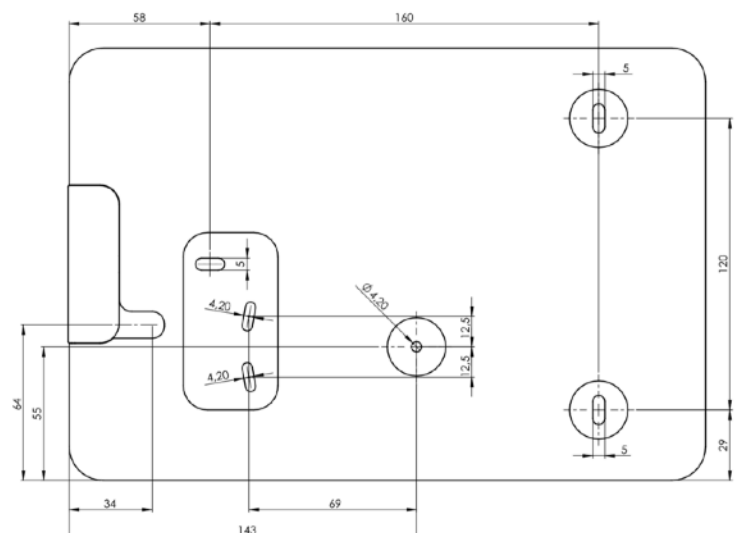
Installation in furniture, cabinets, wooden materials displays etc.

Direct screw-mounting.

Power supply unit:
USB-connector or PoE (Power over Ethernet)



side view
from left to right: wall, wall spacer, one



back view
! Attention: Measurements show one for iPad 9.7 inch. Measurements for other generation on following page.

The size of one varies depending on the iPad generation. Mounting plate is always the same, it allows you to change iPad generation easily.

Scaled-ready drilling template at www.viveroo.com/downloads

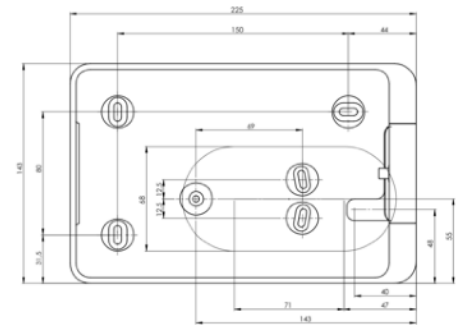
Article:

MountingSet Furniture
Incl. wallbox, power supply unit and mounting material

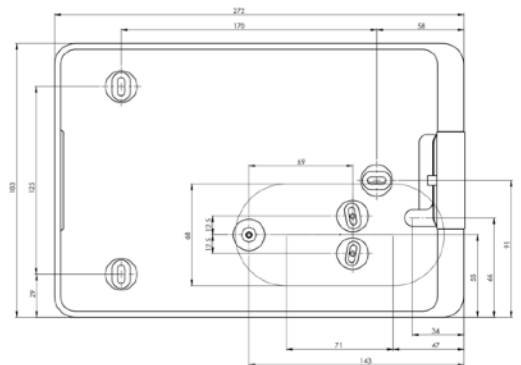
Product dimensions (incl. position of wallbox)

one für ...

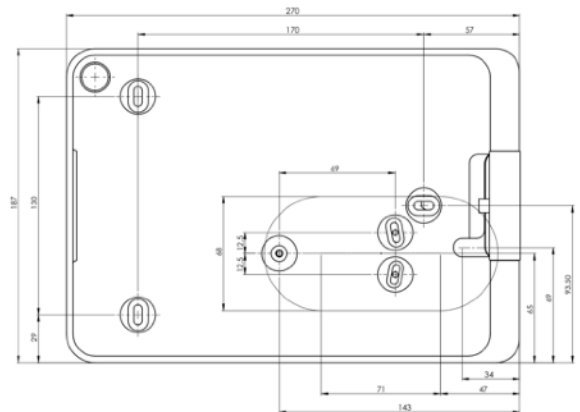
... iPad mini 4/5



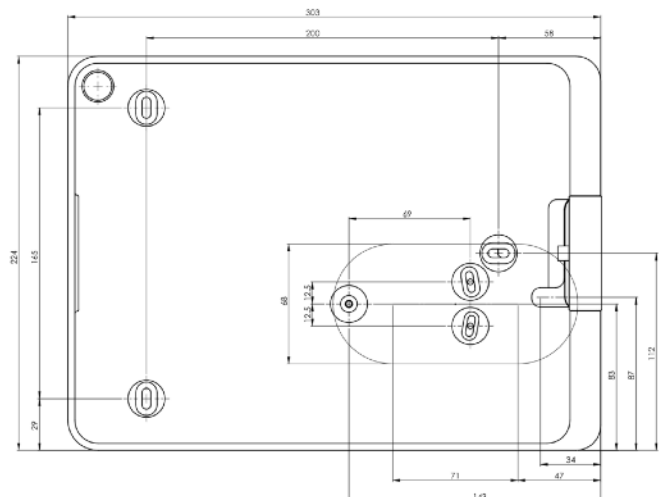
... iPad 10.2 inch (09/2019), Air (2019),
Pro 10.5 inch

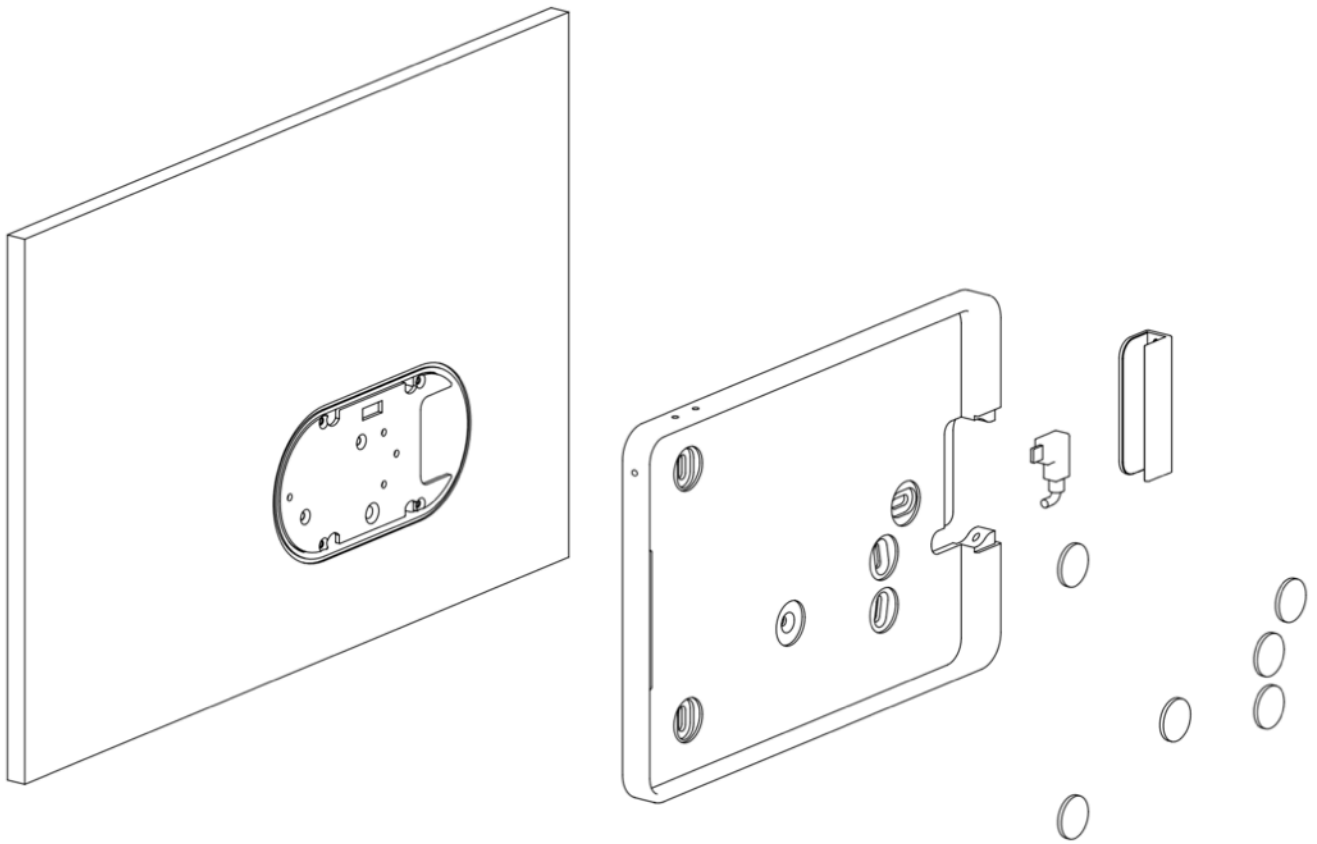


... iPad Pro 11 inch



... iPad Pro 12.9 inch (3rd Gen 2018)





one

Product contents	<ul style="list-style-type: none"> - User manual one - one <p>Please note! External cable, power supply and mounting screws are included in MountingSet.</p>
Compatibility	Electrical operation of viveroo products is permitted only in connection with viveroo MountingSet and power supply and cable included in the MountingSet. Operation of viveroo iPad mounts without a MountingSet will lead to immediate loss of guarantee and warranty.
Weight	<ul style="list-style-type: none"> für iPad mini: 740 g für iPad 10.2 inch (09/2019), Air (2019), Pro 10.5 inch: 866 g für iPad Pro 11 inch: 952 g für iPad Pro 12.9 inch: 1.118 g
Electrical connections	5,2Vdc 2,4A via USB-A or 5Vdc 3A, 9Vdc 2A, 12 Vdc 1,5A via USB-C, depending on iPad.
Disconnect from power supply	viveroo iPad mounts may be removed from the power supply via the circuit breaker in the respective rooms.
CE & Co.	All viveroo products have CE certification. viveroo iPad mounts are quality "Made in Germany". We use only high-quality parts and components produced by market leaders. viveroo customers are proud of their iPad garage.

Mounting Furniture

Product contents	<ul style="list-style-type: none"> - Installation guide Furniture - USB Power Adapter (For USB-A: 100-240Vac, 50/60Hz, 12,5W, For USB-C: 100-240Vac, 50/60Hz, PD 3.0, up to 18W) - True-to-scale drilling template - Mounting material
-------------------------	--

Mounting Inwall

Product contents	<ul style="list-style-type: none"> - Installation guide Inwall - free flush-mount box with installation disc, incl. integrated level - Power supply unit (IN: 100-240 Vac, 50/60 Hz, OUT: 5,2 Vdc) installed on installation plate or USB Power Adapter USB-C: 100-240Vac, 50/60Hz, PD 3.0, up to 18W
-------------------------	--

Technical changes and mistakes are excepted.