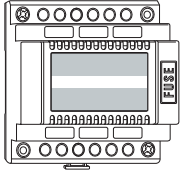


## Power supply REG, AC 24 V/1 A

### Operating instructions



Art. no. MTN663529

### For your safety



#### Risk of fatal injury from electrical current.

All work carried out on the device may only be performed by skilled electricians. The country-specific regulations and the valid KNX guidelines must be followed.



#### Caution!

All devices that are installed next to the power supply unit must be equipped with basic insulation at least.



#### Caution!

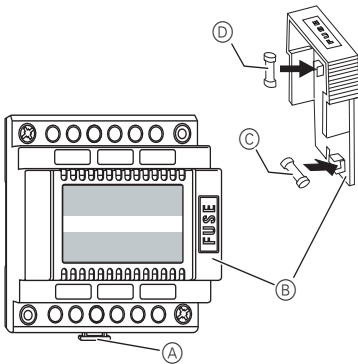
Safety clearance must be guaranteed as per DIN EN 60644-1. A distance of at least 4 mm must be maintained between individual cores of the 230 V cable and the bus line

### Getting to know the power supply unit

The power supply unit REG, AC 24 V/1 A (referred to below as the **power supply unit**) delivers extra-low safety voltage (SELV) of AC 24 V to supply devices with a maximum current consumption of 1 A.

It is intended to be installed on a DIN rail.

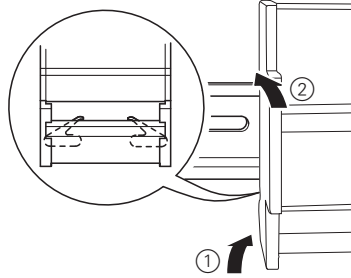
### Connections, displays and operating elements



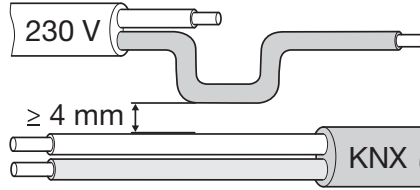
- (A) Clamping spring
- (B) Fuse holder
- (C) Protection
- (D) Spare fuse

### How to install the power supply unit

- ① Insert the power supply into the DIN rail with the clamping spring facing down and suspend it in the rail.



- ② Connect the KNX.



#### CAUTION

#### Risk of fatal injury from electrical current. The device may become damaged

A safety clearance from the KNX line to 230 V cables must be guaranteed. Always place the cable cover over the KNX connecting terminal.

- ③ Connect mains voltage.



Pull out the clamping spring (e.g. with a screwdriver) first to remove the power supply from the DIN rail.

### How to change the fuse

The power supply has an integrated fuse in a fuse holder.

Replacing the fuse:

- ① Switch off the mains voltage of the power supply.
- ② Pull the fuse holder (B) out upward.
- ③ Replace lower fuse (C) with a new one (T 160 mA). The fuse holder has room for a spare fuse (D).

### Technical data

Mains input:	AC 230 V, 50 - 60 Hz
Output voltage:	AC 24 V
Output current:	1 A
Ambient temperature:	-20 °C to +40 °C
Connections	Screw-on terminals for 0.5 - 2.5 mm <sup>2</sup>
Installation width:	5 pitches = 90 mm
Dimensions:	87.5 x 93 x 66.5 mm (HxWxD)

### Schneider Electric Industries SAS

If you have technical questions, please contact the Customer Care Center in your country.

[www.schneider-electric.com](http://www.schneider-electric.com)

This product must be installed, connected and used in compliance with prevailing standards and/or installation regulations. As standards, specifications and designs develop from time to time, always ask for confirmation of the information given in this publication.