

**Wind sensor with 0-10 V interface and heating**



**Colour**      **Article no.**  
polar white    663592

**Table of Contents**

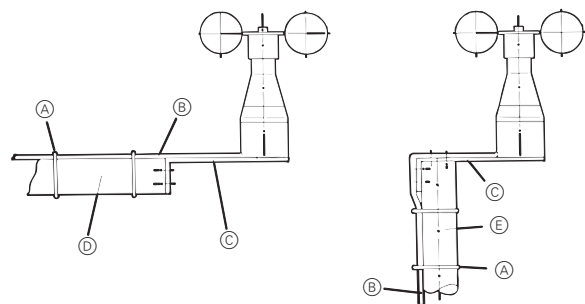
1.	Function	1
2.	Installation	1
3.	Technical Data	2

**1. Function**

The wind sensor evaluates the wind speed and converts it into an analogue 0 to 10 V output voltage. The wind sensor can be connected to the weather station REG-K/4-gang or the analogue input REG-K/4-gang. The power supply required to operate the wind sensor is made available by these devices. For error-free operation in the event of frost, the integrated heating can be operated via the power supply REG, AC 24 V/500 mA (art. no. 663590).

**2. Installation**

The wind sensor is screwed onto e.g. a cross member or a mast with a mounting bracket (optional). A horizontal adjustment is required.



- (A) Cable binder
- (B) Cable
- (C) Mounting bracket
- (D) Cross member
- (E) Mast

The measured-value cable is fitted tightly to e.g. the cross member with clips, cable binders or similar fixing material so that the cable is not damaged at higher wind speeds by flapping and wearing through.

**Selection of the installation site**

In general, wind measuring devices should record the wind conditions in a broad radius. To obtain comparable values when determining the surface wind, measurements should be taken at a height of 10 metres above even, undisrupted ground. Undisrupted ground means: the distance between the anemometer and the obstacle should be at least ten times the height of the obstacle (see VDI 3786). If this regulation cannot be complied with, the anemometer should be installed at a height so that the measured values are influenced as little as possible by the obstacles (approx. 6 to 10 m above the obstacle).

On flat roofs, the anemometer should be placed in the middle of the roof instead of on the edge so that any preferential directions are avoided.

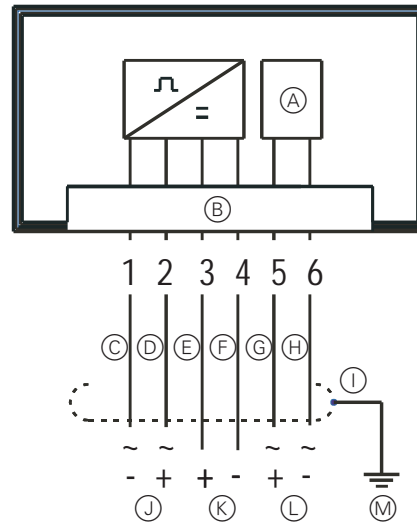
**Maintenance**

If the device is installed correctly, it is maintenance-free.  
 High levels of environmental pollution can block the slit on the wind sensor between the rotating and fixed parts. This slit must always be kept clean.

**3. Technical Data**

Measuring range:	0.7 - 40 m/s, linear
Electr. output:	0 - 10 V
External supply	
Voltage:	DC 24 V (DC 18 - 32 V)
Power consumption:	approx. 12 mA (without heating)
Heating:	DC/AC 24 V PTC element (80 °C)
General data	
Load:	max. 60 m/s transient
Ambient temperature:	-25 °C to +60 °C
EC guidelines:	corresponds to low voltage guideline 73/23/EEC; corresponds to EMC guideline 89/336/EEC
Incoming cable:	3 m, LiYY 6x0.25 mm <sup>2</sup>
Fixing method:	Mounting bracket
Mounting position:	vertical

**Circuit diagram:**



- (A) Heating
- (B) Cable LiYY
- (C) white
- (D) brown
- (E) green
- (F) yellow
- (G) grey
- (H) pink
- (I) Shield
- (J) Supply DC 18 to 32 V
- (K) Output 0 to 10 V = 0.7 to 40 m/s
- (L) Supply for heating AC/DC 24 V max. 1 A
- (M) Earth